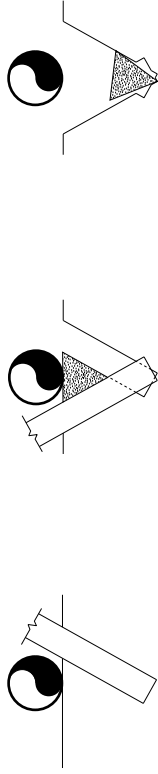
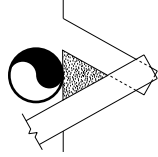


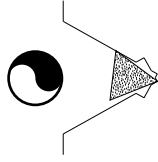
PLAN VIEW



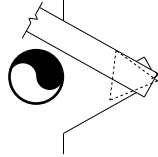
1. First cut by chain No. 1



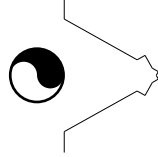
2. Second cut by chain No. 2



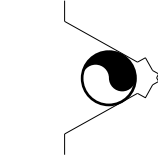
3. Soil under pipe drops to bottom



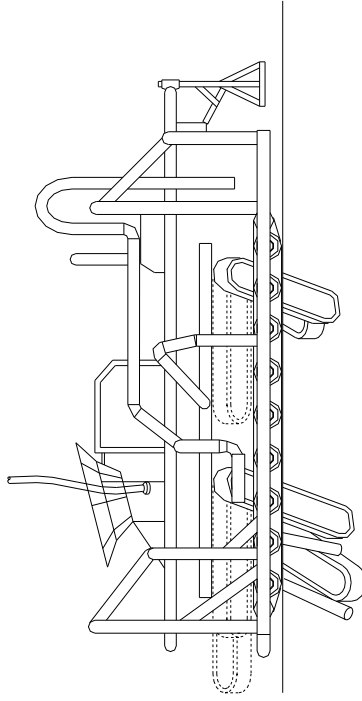
4. Trench cleared by chain No. 3



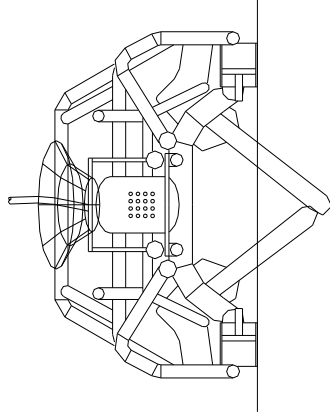
5. Final trench profile



6. Final position of pipe in trench




SIDE VIEW



FRONT VIEW

**Notes:**

1. Sketch based on Allseas Digging Donald.
2. Trench depths in excess of 2 m are possible.
3. Cutters may be replaced by blades or other tools for different seabed conditions.
4. Typical cutter dimensions: length, 17 m; width, 10 m; height, 7 m.

	 <p>Job No: 1284 File Name: 1284_09_F03.12_HB</p>	<p>Esso Highlands Limited PNG LNG Project</p>	<p>Figure No: <b>3.12</b></p> <p>Typical mechanical cutter and its trench profiles</p>
--	--	---	--